

standard version

MS1

F	Cod.	DS 1.5" (40mm)			DS 2" (50mm)				DS 12" (50mm)			
		p	ch	L	h	p	ch	L	h	p	ch	L
G 1/8 B	11M	1.77 (45)	0.47 (12)	0.39 (10)	1.75 (44,5)	1.81 (46)	0.55 (14) ⁽¹⁾	0.39 (10)				
1/8-18 NPT	13M	1.77 (45)	0.47 (12)	0.39 (10)	1.75 (44,5)	1.81 (46)	0.55 (14) ⁽¹⁾	0.39 (10)				
G 1/4 B	21M	1.88 (48)	0.47 (12)	0.51 (13)	1.87 (47,5)	1.94 (49,5)	0.55 (14) ⁽¹⁾	0.51 (13)				
1/4-18 NPT	23M	2.04 (52)	0.47 (12)	0.59 (15)	1.94 (49,5)	2.10 (53,5)	0.55 (14) ⁽¹⁾	0.59 (15)	4.40 (112)	3.30 (84)	0.86 (22)	0.59 (15)
G 1/2 B	41M								4.60 (117)	3.50 (89)	0.86 (22)	0.78 (20)
1/2-14 NPT	43M								4.60 (117)	3.50 (89)	0.86 (22)	0.78 (20)

(1) ch= 0.47 (12) if back connection

dimensions : inches (mm)

anti-vibrations version

MS4

F	Cod.	DS 4" (100mm)			
		h	p	ch	L
G 1/4 B	21M	3.14 (80)	2.63 (67)	0.86 (22)	0.51 (13)
R 1/4-ISO 7/1	22M	3.22 (82)	2.71 (69)	0.86 (22)	0.59 (15)
1/4-18 NPT	23M	3.22 (82)	2.71 (69)	0.86 (22)	0.59 (15)
7/16-20UNF	24M	3.22 (82)	2.71 (69)	0.86 (22)	0.59 (15)
G 3/8 B	31M	3.26 (83)	2.75 (70)	0.86 (22)	0.62 (16)
G 1/2 B	41M	3.42 (87)	2.92 (74)	0.86 (22)	0.78 (20)
R 1/2-ISO 7/1	42M	3.42 (87)	2.92 (74)	0.86 (22)	0.78 (20)
1/2-14 NPT	43M	3.42 (87)	2.92 (74)	0.86 (22)	0.78 (20)
M 20 x 1,5	97M	3.42 (87)	2.92 (74)	0.86 (22)	0.78 (20)

dimensions : inches (mm)

stainless steel bourdon tube



F	Cod.	DS 4" (100mm)		
		h	ch	L
1/4-18 NPT	23M	3.22 (82)	0.87 (22)	0.59 (15)
1/2-14 NPT	43M	3.42 (87)	0.87 (22)	0.79 (20)

dimensions : inches (mm)

bourdon tube pressure gauges : threaded process connections

anti-vibrations version

MGS10

F	Cod.	DS 2" (50mm)				DS 2.5" (63mm)				DS 4" (100mm)			
		h	p	ch	L	h	p	ch	L	h	p	ch	L
G 1/8 B	11M	1.75 (44,5)	1.81 (46)	0.55 (14) ⁽¹⁾	0.39 (10)	2.08 (53)	2.08 (53)	0.55 (14)	0.39 (10)				
1/8-18 NPT	13M	1.75 (44,5)	1.81 (46)	0.55 (14) ⁽¹⁾	0.39 (10)	2.08 (53)	2.08 (53)	0.55 (14)	0.39 (10)				
G 1/4 B	21M	1.87 (47,5)	1.94 (49,5)	0.55 (14) ⁽¹⁾	0.51 (13)	2.16 (55)	2.16 (55)	0.55 (14)	0.51 (13)	3.18 (81)	3.26 (83)	0.86 (22)	0.51 (13)
1/4-18 NPT	23M	1.94 (49,5)	2.10 (53,5)	0.55 (14) ⁽¹⁾	0.59 (15)	2.12 (54)	2.12 (54)	0.55 (14)	0.51 (13)	3.26 (83)	3.34 (85)	0.86 (22)	0.59 (15)
M10X1	86M					2.08 (53)	2.08 (53)	0.55 (14)	0.39 (10)			0.86 (22)	
R1/4-ISO7/1	22M					2.12 (54)	2.12 (54)	0.55 (14)	0.51 (13)	3.26 (83)	3.34 (85)	0.86 (22)	0.59 (15)
7/16-20UNF	24M					2.20 (56)	2.20 (56)	0.55 (14)	0.55 (14)	3.26 (83)	3.34 (85)	0.86 (22)	0.59 (15)
G 3/8 B	31M									3.30 (84)	3.38 (86)	0.86 (22)	0.62 (16)
G 1/2 B	41M									3.46 (88)	3.54 (90)	0.86 (22)	0.78 (20)
1/2-14 NPT	43M									3.46 (88)	3.54 (90)	0.86 (22)	0.78 (20)
M20X1,5	97M									3.46 (88)	3.54 (90)	0.86 (22)	0.78 (20)

(1) ch= 0.47 (12) if back connection

dimensions : inches (mm)

all stainless steel version

MGS18

F	Cod.	DS 1.5" (40mm)			DS 2" (50mm)				DS 2.5" (63mm)				DS 4" (100mm)				DS 6" (150mm)			
		p	ch	L	h	p	ch	L	h	p	ch	L	h	p	ch	L	h	p	ch	L
G 1/8 B	11M	1.73 (44)	0.47 (12)	0.39 (10)	1.75 (44,5)	1.81 (46)	0.55 ⁽¹⁾ (14) ⁽¹⁾	0.39 (10)	2.08 (53)	2.08 (53)	0.55 (14)	0.39 (10)								
1/8-18 NPT	13M	1.73 (44)	0.47 (12)	0.39 (10)	1.75 (44,5)	1.81 (46)	0.55 ⁽¹⁾ (14) ⁽¹⁾	0.39 (10)	2.08 (53)	2.08 (53)	0.55 (14)	0.39 (10)								
G 1/4 B	21M	1.92 (49)	0.47 (12)	0.51 (13)	1.87 (47,5)	2 (51)	0.55 ⁽¹⁾ (14) ⁽¹⁾	0.51 (13)	2.16 (55)	2.16 (55)	0.55 (14)	0.51 (13)	3.11 (79)	3.34 (85)	0.86 (22)	0.51 (13)	4.33 (110)	3.28 (83,5)	0.86 (22)	0.51 (13)
1/4-18 NPT	23M	2 (51)	0.47 (12)	0.59 (15)	1.94 (49,5)	2.08 (53)	0.55 ⁽¹⁾ (14) ⁽¹⁾	0.59 (15)	2.12 (54)	2.12 (54)	0.55 (14)	0.51 (13)	3.18 (81)	3.42 (87)	0.86 (22)	0.59 (15)	4.40 (112)	3.36 (85,5)	0.86 (22)	0.59 (15)
R1/4-ISO7/1	22M								2.12 (54)	2.12 (54)	0.55 (14)	0.51 (13)								
G 3/8 B	31M												3.38 (86)	3.42 (87)	0.86 (22)	0.62 (16)	4.44 (113)	3.36 (85,5)	0.86 (22)	0.62 (16)
3/8-18 NPT	33M												3.38 (86)	3.42 (87)	0.86 (22)	0.62 (16)	4.44 (113)	3.36 (85,5)	0.86 (22)	0.62 (16)
G 1/2 B	41M												3.38 (86)	3.42 (87)	0.86 (22)	0.78 (20)	4.6 (117)	3.36 (85,5)	0.86 (22)	0.78 (20)
R 1/2-ISO 7/1	42M												3.38 (86)	3.42 (87)	0.86 (22)	0.78 (20)	4.6 (117)	3.36 (85,5)	0.86 (22)	0.78 (20)
1/2-14 NPT	43M												3.38 (86)	3.42 (87)	0.86 (22)	0.78 (20)	4.6 (117)	3.36 (85,5)	0.86 (22)	0.78 (20)
M 20 x 1,5	97M												3.38 (86)	3.42 (87)	0.86 (22)	0.78 (20)	4.6 (117)	3.36 (85,5)	0.86 (22)	0.78 (20)

(1) ch= 0.47 (12) if back connection

dimensions : inches (mm)

all stainless steel version, heavy work

MG19

F	Cod.	DS 4" (100mm)				DS 6" (150mm)			
		h	p	ch	L	h	p	ch	L
G 1/4 B	21M	3.11 (79)	3.35 (85)	0.87 (22)	0.51 (13)	4.33 (110)	3.29 (83,5)	0.87 (22)	0.51 (13)
1/4-18 NPT	23M	3.19 (81)	3.43 (87)	0.87 (22)	0.59 (15)	4.41 (112)	3.37 (85,5)	0.87 (22)	0.59 (15)
G 3/8 B	31M	3.39 (86)	3.43 (87)	0.87 (22)	0.63 (16)	4.45 (113)	3.37 (85,5)	0.87 (22)	0.63 (16)
3/8-18 NPT	33M	3.39 (86)	3.43 (87)	0.87 (22)	0.63 (16)	4.45 (113)	3.37 (85,5)	0.87 (22)	0.63 (16)
G 1/2 B	41M	3.39 (86)	3.43 (87)	0.87 (22)	0.79 (20)	4.61 (117)	3.37 (85,5)	0.87 (22)	0.79 (20)
R 1/2-ISO 7/1	42M	3.39 (86)	3.43 (87)	0.87 (22)	0.79 (20)	4.61 (117)	3.37 (85,5)	0.87 (22)	0.79 (20)
1/2-14 NPT	43M	3.39 (86)	3.43 (87)	0.87 (22)	0.79 (20)	4.61 (117)	3.37 (85,5)	0.87 (22)	0.79 (20)
M 20 x 1,5	97M	3.39 (86)	3.43 (87)	0.87 (22)	0.79 (20)	4.61 (117)	3.37 (85,5)	0.87 (22)	0.79 (20)

dimensions : inches (mm)

MG20

F	Cod.	DN 2.5" (63mm)				DN 4" (100mm)				DN 6" (150mm)			
		h	p	ch	L	h	p	ch ⁽¹⁾	L	h	p	ch ⁽¹⁾	L
G 1/8 B	11M	2.08 (53)	2.28 (58)	0.55 (14)	0.39 (10)								
1/8-18 NPT	13M	2.08 (53)	2.28 (58)	0.55 (14)	0.39 (10)								
G 1/4 B	21M	2.16 (55)	2.36 (60)	0.55 (14)	0.51 (13)	3.11 (79)	3.68 (93,5)	0.87 (22)	0.51 (13)	4.33 (110)	3.70 (94)	0.87 (22)	0.51 (13)
1/4-18 NPT	23M	2.12 (54)	2.32 (59)	0.55 (14)	0.51 (13)	3.19 (81)	3.76 (95,5)	0.87 (22)	0.59 (15)	4.41 (112)	3.78 (96)	0.87 (22)	0.59 (15)
G 3/8 B	31M					3.39 (86)	3.76 (95,5)	0.87 (22)	0.63 (16)	4.45 (113)	3.78 (96)	0.87 (22)	0.63 (16)
3/8-18 NPT	33M					3.39 (86)	3.76 (95,5)	0.87 (22)	0.63 (16)	4.45 (113)	3.78 (96)	0.87 (22)	0.63 (16)
G 1/2 B	41M					3.39 (86)	3.76 (95,5)	0.87 (22)	0.79 (20)	4.61 (117)	3.78 (96)	0.87 (22)	0.79 (20)
R 1/2-ISO 7/1	42M					3.39 (86)	3.76 (95,5)	0.87 (22)	0.79 (20)	4.61 (117)	3.78 (96)	0.87 (22)	0.79 (20)
1/2-14 NPT	23M					3.39 (86)	3.76 (95,5)	0.87 (22)	0.79 (20)	4.61 (117)	3.78 (96)	0.87 (22)	0.79 (20)
M 20 x 1,5	97M					3.39 (86)	3.76 (95,5)	0.87 (22)	0.79 (20)	4.61 (117)	3.78 (96)	0.87 (22)	0.79 (20)

(1) ch= 0.67 (17) for back connection

dimensions : inches (mm)



bourdon tube pressure gauges : threaded process connection

all stainless steel version, "solid-front" heavy work

MGS21

F	Cod.	DS 4" (100mm)				DS 6" (150mm)			
		h	p	ch ⁽¹⁾	L	h	p	ch ⁽¹⁾	L
G 1/4 B	21M	3.11 (79)	3.68 (93,5)	0.87 (22)	0.51 (13)	4.33 (110)	3.70 (94)	0.87 (22)	0.51 (13)
1/4-18 NPT	23M	3.19 (81)	3.76 (95,5)	0.87 (22)	0.59 (15)	4.41 (112)	3.78 (96)	0.87 (22)	0.59 (15)
G 3/8 B	31M	3.39 (86)	3.76 (95,5)	0.87 (22)	0.63 (16)	4.45 (113)	3.78 (96)	0.87 (22)	0.63 (16)
3/8-18 NPT	33M	3.39 (86)	3.76 (95,5)	0.87 (22)	0.63 (16)	4.45 (113)	3.78 (96)	0.87 (22)	0.63 (16)
G 1/2 B	41M	3.39 (86)	3.76 (95,5)	0.87 (22)	0.79 (20)	4.61 (117)	3.78 (96)	0.87 (22)	0.79 (20)
R 1/2-ISO 7/1	42M	3.39 (86)	3.76 (95,5)	0.87 (22)	0.79 (20)	4.61 (117)	3.78 (96)	0.87 (22)	0.79 (20)
1/2-14 NPT	43M	3.39 (86)	3.76 (95,5)	0.87 (22)	0.79 (20)	4.61 (117)	3.78 (96)	0.87 (22)	0.79 (20)
M 20 x 1,5	97M	3.39 (86)	3.76 (95,5)	0.87 (22)	0.79 (20)	4.61 (117)	3.78 (96)	0.87 (22)	0.79 (20)

(1) ch= 0.66 (17) if back connection

all stainless steel test gauge, accuracy 0,6%

MN15

F	Cod.	DS 6" (150mm)			
		h	p	ch	L
G 1/4 B	21M	4.33 (110)	3.29 (83,5)	0.87 (22)	0.51 (13)
1/4-18 NPT	23M	4.41 (112)	3.37 (85,5)	0.87 (22)	0.59 (15)
G 1/2 B	41M	4.61 (117)	3.37 (85,5)	0.87 (22)	0.79 (20)
1/2-14 NPT	43M	4.61 (117)	3.37 (85,5)	0.87 (22)	0.79 (20)

dimensions : inches (mm)

all stainless steel test gauge, "solid-front" accuracy 0,6...0,25%

MN16-MN25

F	Cod.	DS 6" (150mm)			
		h	p	ch	L
G 1/4 B ⁽¹⁾	21M	4.33 (110)	3.74 (95)	0.87 (22) ⁽²⁾	0.51 (13)
1/4-18 NPT ⁽¹⁾	23M	4.41 (112)	3.82 (97)	0.87 (22) ⁽²⁾	0.59 (15)
G 1/2 B	41M	4.61 (117)	3.82 (97)	0.87 (22) ⁽²⁾	0.79 (20)
1/2-14 NPT	43M	4.61 (117)	3.82 (97)	0.87 (22) ⁽²⁾	0.79 (20)

(1) only for bottom connection on MN25

(2) ch= 0.67 (17) for back connection

dimensions : inches (mm)

test gauge, "solid-front", accuracy 0,25%

MN17

F	Cod.	DS 6" (150mm)			
		h	p	ch	L
G 1/4 B	21M	4.37 (111)	3.76 (95,5)	0.94 (24) ⁽¹⁾	0.51 (13)
1/4-18 NPT	23M	4.45 (113)	3.84 (97,5)	0.94 (24) ⁽¹⁾	0.59 (15)
G 1/2 B	41M	4.65 (118)	3.84 (97,5)	0.94 (24) ⁽¹⁾	0.79 (20)
1/2-14 NPT	43M	4.65 (118)	3.84 (97,5)	0.94 (24) ⁽¹⁾	0.79 (20)

(1) ch= 0.67 (17) for back connection

dimensions : inches (mm)



NACE MR 01.03 version

MGS36

F	Cod.	DS 4" (100mm)				DS 6" (150mm)			
		h	p	ch	L	h	p	ch	L
G 1/2 B	41M	3.39 (86)	3.43 (87)	0.87 (22)	0.79 (20)	4.61 (117)	3.37 (85,5)	0.87 (22)	0.79 (20)
1/2-14 NPT	43M	3.39 (86)	3.43 (87)	0.87 (22)	0.79 (20)	4.61 (117)	3.37 (85,5)	0.87 (22)	0.79 (20)

dimensions : inches (mm)

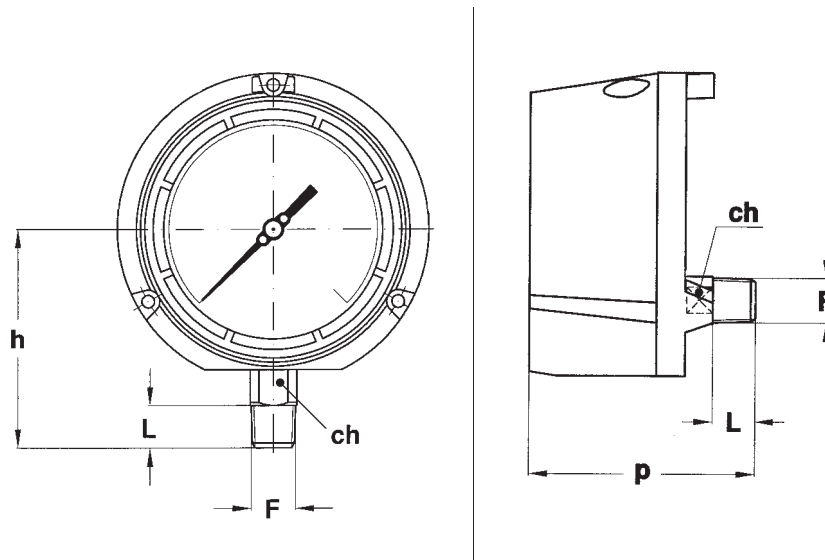
NACE MR 01.03 version, "solid-front"

MGS40

F	Cod.	DS 4" (100mm)				DS 6" (150mm)			
		h	p	ch	L	h	p	ch	L
G 1/2 B	41M	3.39 (86)	3.76 (95,5)	0.87 (22) ⁽¹⁾	0.79 (20)	4.61 (117)	3.78 (96)	0.87 (22) ⁽¹⁾	0.79 (20)
1/2-14 NPT	43M	3.39 (86)	3.76 (95,5)	0.87 (22) ⁽¹⁾	0.79 (20)	4.61 (117)	3.78 (96)	0.87 (22) ⁽¹⁾	0.79 (20)

(1) ch= 0.67 (17) for back connection

dimensions : inches (mm)



"solid-front" turret case

MGS30-MGS30X

F	Cod.	DS 4.5" (125mm)			
		h	p	ch	L
1/4-18 NPT	23M	3.88 (98,5)	3.98 (101)	0.87 (22) ⁽¹⁾	0.59 (15)
1/2-14 NPT	43M	4.07 (103,5)	4.17 (106)	0.87 (22) ⁽¹⁾	0.79 (20)

(1) ch= 0.67 (17) for back connection

dimensions : inches (mm)

NACE MR 01.03 version, "solid-front" turret case

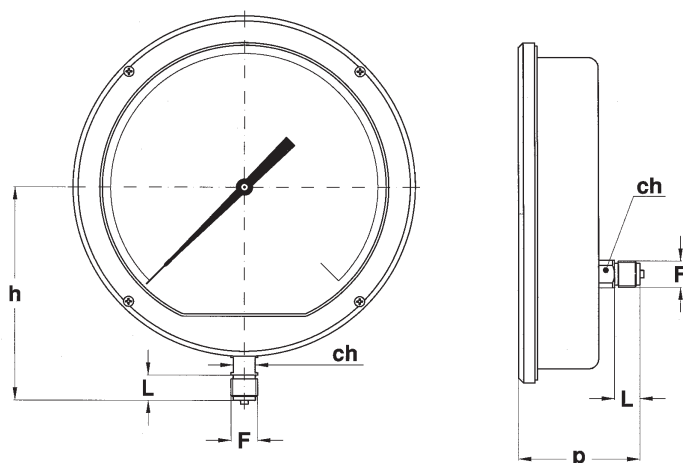
MGS60

F	Cod.	DS 4.5" (125mm)			
		h	p	ch	L
1/4-18 NPT	23M	3.88 (98,5)	3.98 (101)	0.87 (22) ⁽¹⁾	0.59 (15)
1/2-14 NPT	43M	4.07 (103,5)	4.17 (106)	0.87 (22) ⁽¹⁾	0.79 (20)

(1) ch= 0.67 (17) for back connection

dimensions : inches (mm)





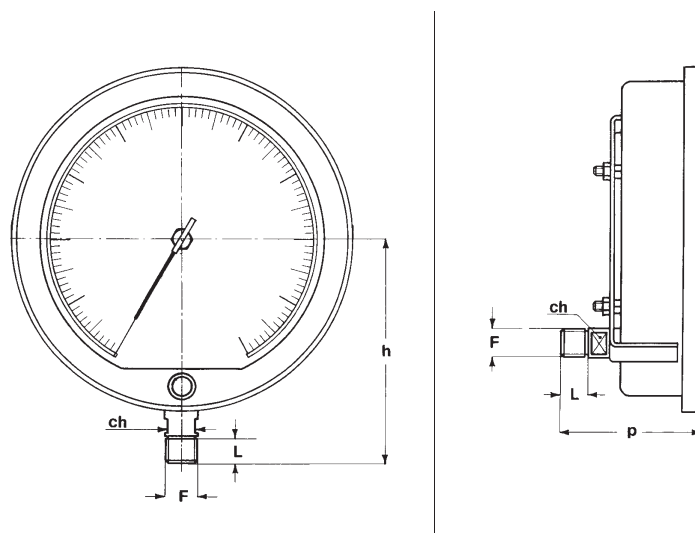
aluminium case

MGS8

F	Cod.	DS 10" (250mm)			
		h	p	ch	L
G 1/2 B	41M	6.69 (170)	3.72 (94,5)	0.66 (17) ⁽¹⁾	0.78 (20)
1/2-14 NPT	43M	6.69 (170)	3.72 (94,5)	0.66 (17) ⁽¹⁾	0.78 (20)

(1) ch= 0.87 (22) for back connection

dimensions : inches (mm)

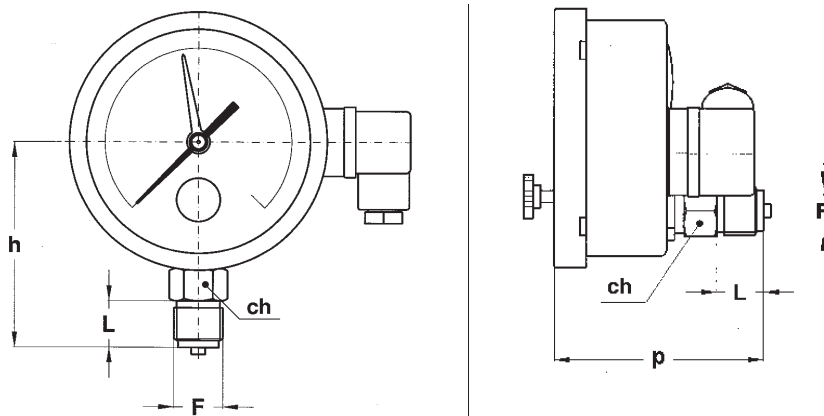


laboratory, accuracy 0,1%

MN17/L

F	Cod.	DS 10" (250mm)			
		h	p	ch	L
1/4-18 NPT	23M	6.50 (165)	4.39 (111,5)	0.67 (17)	0.59 (15)
G 1/2 B	41M	6.69 (170)	4.39 (111,5)	0.67 (17)	0.79 (20)
1/2-14 NPT	43M	6.69 (170)	4.39 (111,5)	0.67 (17)	0.79 (20)

dimensions : inches (mm)



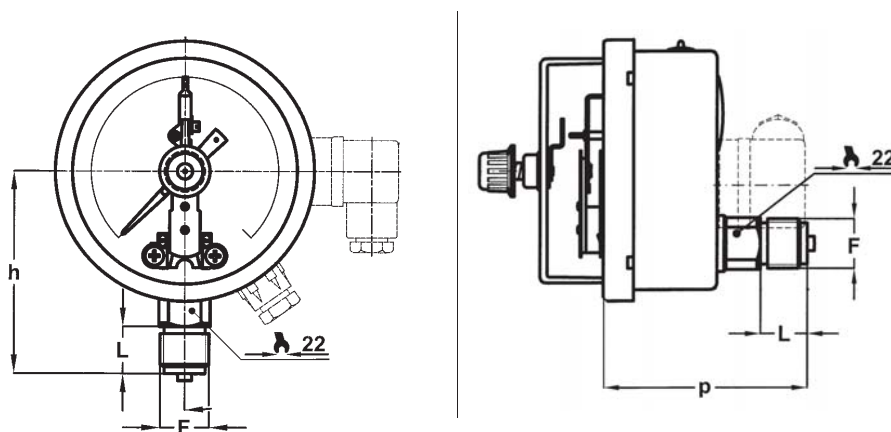
with microswitch

MG572-74

F	Cod.	DS 4" (100mm)			
		h	p	ch	L
G 1/4 B	21M	3.18 (81)	3.27 (83)	0.87 (22)	0.51 (13)
1/4-18 NPT	23M	3.26 (83)	3.35 (85)	0.87 (22)	0.59 (15)
G 3/8 B	31M	3.30 (84)	3.39 (86)	0.87 (22)	0.63 (16)
3/8-18 NPT ⁽¹⁾	33M	3.30 (84)	3.39 (86)	0.87 (22)	0.63 (16)
G 1/2 B	41M	3.46 (88)	3.54 (90)	0.87 (22)	0.79 (20)
1/2-14 NPT	43M	3.46 (88)	3.54 (90)	0.87 (22)	0.79 (20)

(1) available for MGS72 only

dimensions : inches (mm)



with electric contacts

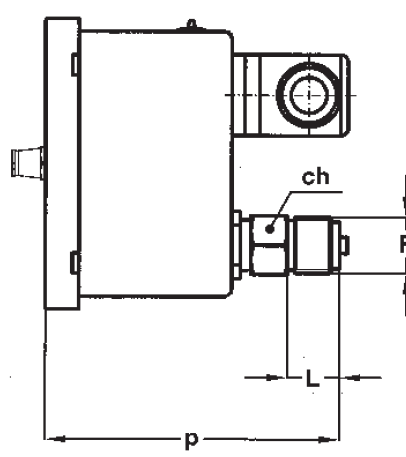
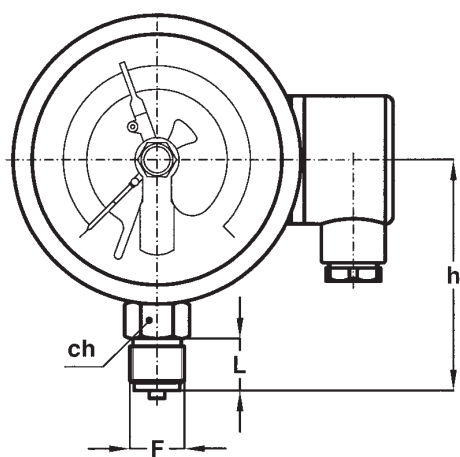
MN14/10-18

F	Cod.	DS 4" (100mm)						DS 6" (150mm)					
		h ⁽¹⁾	h ⁽²⁾	p ⁽¹⁾	p ⁽²⁾	ch	L	h ⁽¹⁾	h ⁽²⁾	p ⁽¹⁾	p ⁽²⁾	ch	L
G 1/4 B	21M	3.19 (81)	3.11 (79)	3.26 (83)	3.34 (85)	0.87 (22)	0.51 (13)		4.33 (110)	3.22 (82)	3.28 (83,5)	0.87 (22)	0.51 (13)
1/4-18 NPT	23M	3.26 (83)	3.19 (81)	3.34 (85)	3.42 (87)	0.87 (22)	0.59 (15)	4.41 (112)	4.41 (112)	3.30 (84)	3.36 (85,5)	0.87 (22)	0.59 (15)
G 1/2 B	41M	3.46 (88)	3.39 (86)	3.54 (90)	3.42 (87)	0.87 (22)	0.79 (20)	4.61 (117)	4.61 (117)	3.50 (89)	3.36 (85,5)	0.87 (22)	0.79 (20)
R 1/2-ISO 7/1	42M	3.46 (88)	3.39 (86)	3.54 (90)	3.42 (87)	0.87 (22)	0.79 (20)		4.61 (117)	3.50 (89)	3.36 (85,5)	0.87 (22)	0.79 (20)
1/2-14 NPT	43M	3.46 (88)	3.39 (86)	3.54 (90)	3.42 (87)	0.87 (22)	0.79 (20)	4.61 (117)	4.61 (117)	3.50 (89)	3.36 (85,5)	0.87 (22)	0.79 (20)
M 20 x 1,5	97M	3.46 (88)	3.39 (86)	3.54 (90)	3.42 (87)	0.87 (22)	0.79 (20)		4.61 (117)	3.50 (89)	3.36 (85,5)	0.87 (22)	0.79 (20)

(1) MN14/10; (2) MN14/18

dimensions : inches (mm)



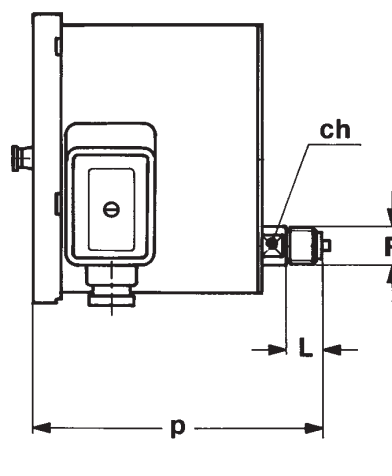
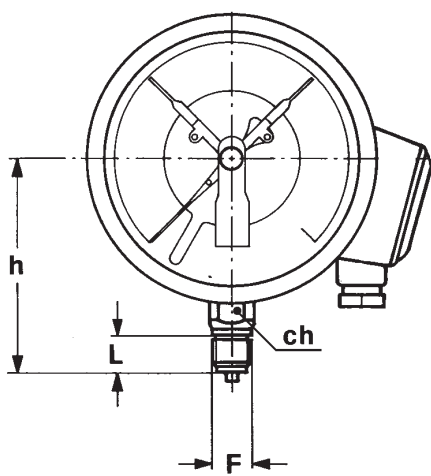


with electric contact

MCE10-18 MCE10-18/SF₆

F	Cod.	DS 4" (100mm)			
		h	p	ch	L
G 1/4 B	21M	3.18 (81)	4.21...4.61 (107...117)	0.87 (22)	0.51 (13)
1/4-18 NPT	23M	3.26 (83)	4.29...4.69 (109...119)	0.87 (22)	0.59 (15)
G 1/2 B	41M	3.46 (88)	4.49...4.88 (114...124)	0.87 (22)	0.79 (20)
1/2-14 NPT	43M	3.46 (88)	4.49...4.88 (114...124)	0.87 (22)	0.79 (20)

dimensions : inches (mm)



with electric contact

MCE20

F	Cod.	DS 6" (150mm)			
		h	p	ch	L
G 1/4 B ⁽²⁾	21M	4.33 (110)	6.22 (158)	0.87 (22)	0.51 (13)
1/4-18 NPT ⁽²⁾	23M	4.41 (112)	6.30 (160)	0.87 (22)	0.59 (15)
G 1/2 B	41M	4.61 (117)	6.30 (160)	0.87 (22) ⁽¹⁾	0.79 (20)
1/2-14 NPT	43M	4.61 (117)	6.30 (160)	0.87 (22) ⁽¹⁾	0.79 (20)

(1) ch= 0.67 (17) for back connection
(2) for bottom connection only

dimensions : inches (mm)